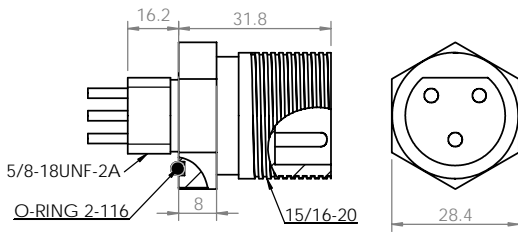
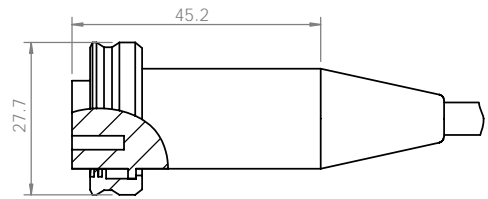




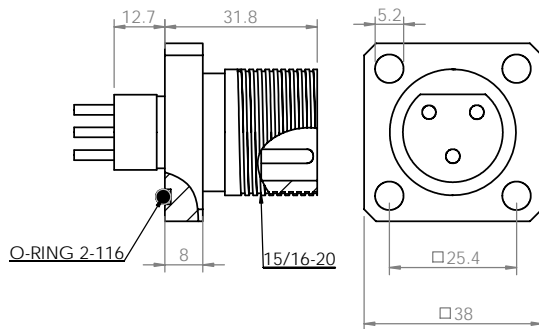
BCR-5507-1503



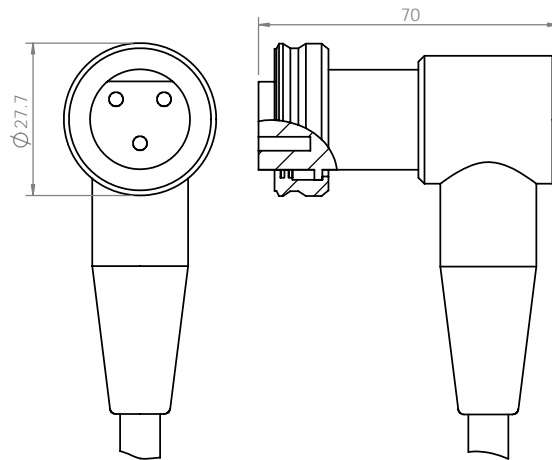
CCP-5501



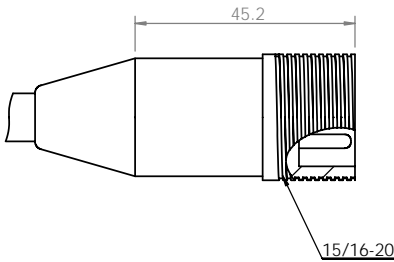
FCR-5506-1503



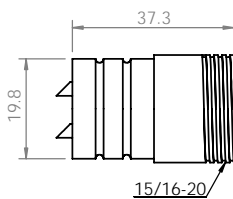
CCP-RA-55R1-1503



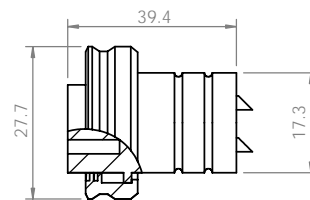
CCR-5502



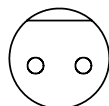
CCR-AT-55A2



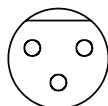
CCP-AT-55A1



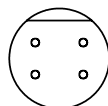
PIN LAYOUT



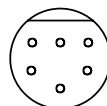
AWG 16
1502



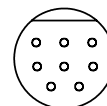
AWG 16
1503



AWG 18
1504



AWG 18
1506



AWG 18
1508





Metal Shell 5500 Series Shell Size 15 2-8 Pins

Operation Specifications

Max Current –	1502	15A	(16 AWG)
	1503	15A	(16 AWG)
	1504	12A	(18 AWG)
	1506	12A	(18 AWG)
	1508	12A	(18 AWG)
Max Voltage		600V	
Insulation		>250megaohm	
Contacts		<0.01 ohm	
Matings		>750	
Temperature		-5C - +65C	
Depth		>600 bar (10K PSI)	

Material Specifications

Molding		Low Carbon Neoprene
Bulkhead		316 Stainless (Titanium, Aluminium optional)
Contacts		Gold plated per MIL-G 45204 Type II, Grade D, Class 00
Pin		Brass
Sockets		Beryllium Copper
O-ring		2-116 Nitrile
Locking Sleeve Material		316 Stainless, Titanium
In-line cable	AWG 18	60cm, (0.82mm ²) 16/30 stranding
	AWG 16	60cm (1.32mm ²) 26/30 stranding
BH leads	AWG 18	30cm, Teflon, 19/30
	AWG 16	30cm, Teflon 19/29

Cable Diameter

Color Code

2 cond	OD 8.0MM (0.31")	1-Blue, 2-Brown
3 cond	OD 14.2mm (0.56")	1-Black, 2-White, 3-Green
4 cond	OD 15.2mm (0.60")	1-Black, 2-White, 3-Red, 4-Green
6 cond	OD 18.3mm (0.72")	1-Black, 2-White, 3-Red, 4-Green, 5-Orange, 6-Blue
8 cond	OD 15.1mm (0.60")	7- White/Black, 8-Red/Black

