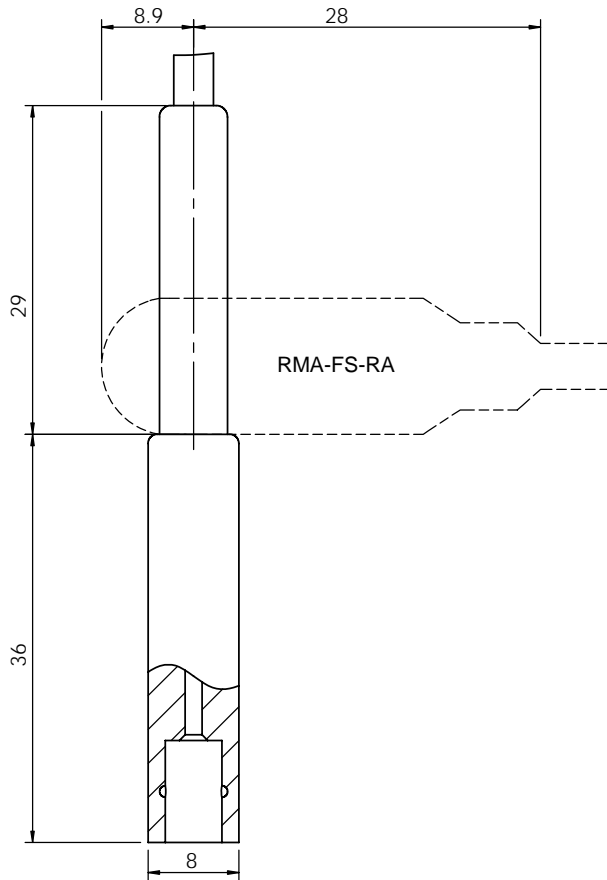
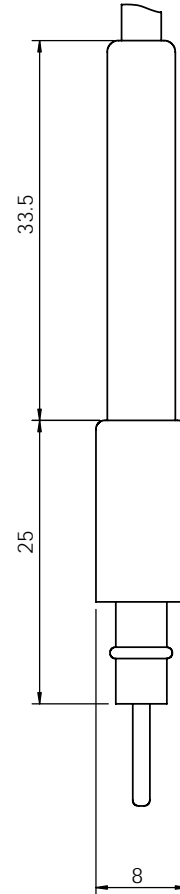




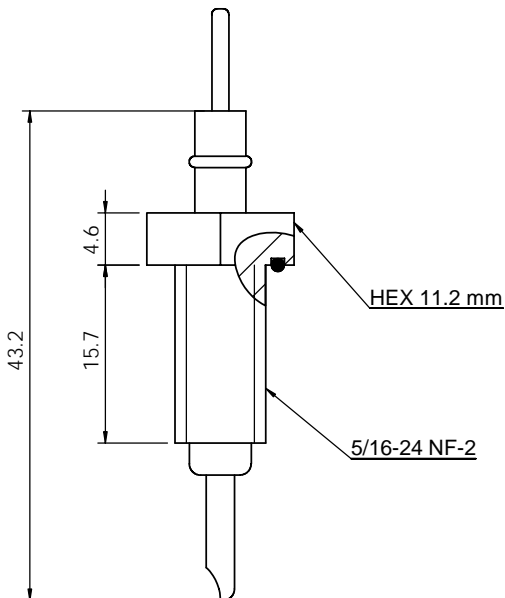
RMA-FS



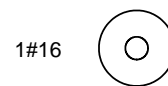
RMA-MP



XSA-BCL



CONTACT





Rubber Molded RMA Series 1 pin

Operation Specifications

Max Current	12A
Max Voltage	600V
Insulation	>250megaohm
Contacts	<0.01 ohm
Matings	>750
Temperature	-5C - +65C
Depth	>600 bar

Material Specifications

Molding	Low Carbon Neoprene
Bulkhead	XSA-BCL
Contacts	Gold plated per MIL-G 45204 Type II, Grade D, Class 00
Pin	Brass
Socket	Beryllium Copper
O-ring (XSA-BCL)	2-012 Nitrile
Locking Sleeve Material	Delrin
Locking Sleeve Type:	RMA p/n 63A-014
In-line wire	60cm, AWG 18 (0.82mm ²) 41/34 stranding

<u>Cable Diameter and Current</u>	<u>Color Code</u>
-----------------------------------	-------------------

1 conductor OD 3.5mm	12A	1-Black
----------------------	-----	---------

