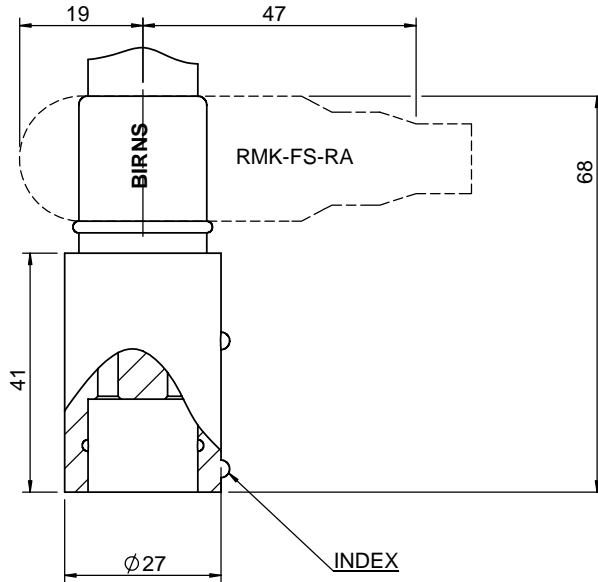
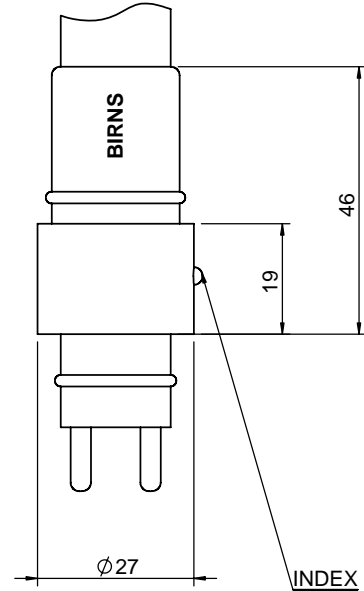




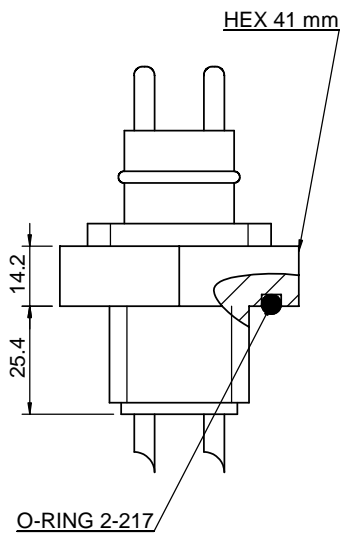
**RMK-FS**



**RMK-MP**

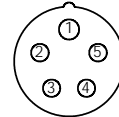
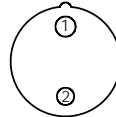


**XSK-BCL**



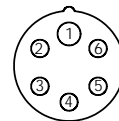
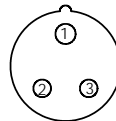
**CONTACT LAYOUT (FEMALE)**

RMK-2-FS  
1#10  
1#14



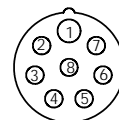
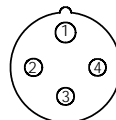
RMK-5-FS  
1#10  
4#14

RMK-3-FS  
1#10  
2#14



RMK-6-FS  
1#14  
5#16

RMK-4-FS  
1#10  
3#14



RMK-8-FS  
1#14  
7#16





**Rubber Molded (RM-K) Series 2-8 pins**

Operation Specifications

Max Current	12A
Max Voltage	600V
Insulation	>250megaohm
Contacts	<0.01 ohm
Matings	>750
Temperature	-5C - +65C
Depth	>600 bar (10K PSI) mated
Mating Bulkhead	XSK-BCL

Material Specifications

Molding	Low Carbon Neoprene
Contacts	Gold plated per MIL-G 45204 Type II, Grade D, Class 00
Pin	Brass
Sockets	Beryllium Copper
O-ring (XSG-BCL)	2-217 Nitrile
Locking Sleeve Material	Glass-Reinforced Nylon
Locking Sleeve Type:	FLS-K, p/n 63A-020
In-line cable	60cm, AWG 18 (0.82mm <sup>2</sup> ) 16/30 stranding

Cable Diameter and Current

Color Code

2 conductor OD 7.5mm	12A	1-Black, 2-White
3 conductor OD 8.1mm	12A	1-Black, 2-White, 3-Green
4 conductor OD 9.0mm	12A	1-Black, 2-White, 3-Red, 4-Green
5 conductor OD 12.0mm	12A	1-Black, 2-White, 3-Red, 4-Green, 5-Orange
6 conductor OD 12.3mm	10A	1-Blk, 2-Wht, 3-Red, 4-Green, 5-Orange, 6-Blue
8 conductor OD 13.5mm	10A	7-White/Black, 8-Red/Black

