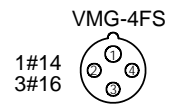
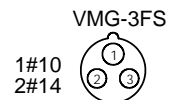
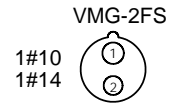
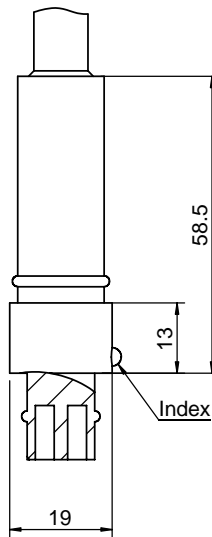
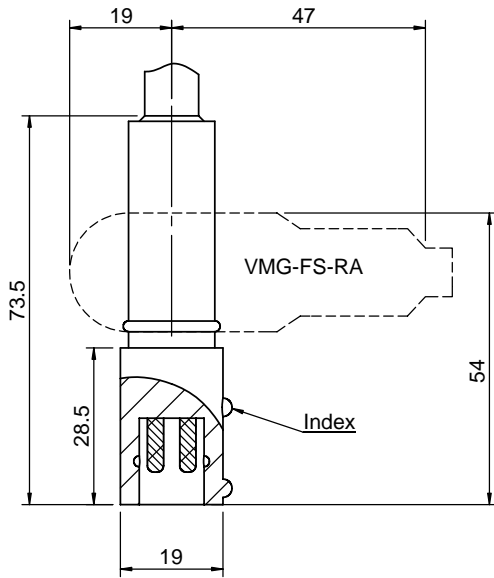




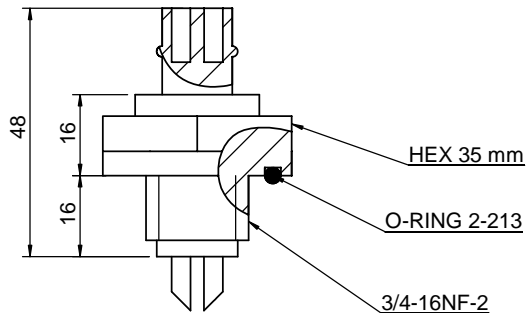
VMG-FS

VMG-MP

CONTACTS (FEMALE)



VSG-BCL





Rubber Molded (VM-G) Series 2-4 pins

Operation Specifications

Max Current	12A
Max Voltage	600V
Insulation	>250megaohm
Contacts	<0.01 ohm
Matings	>750
Temperature	-5C - +65C
Depth	>600 bar (10K PSI) mated
Mating Bulkhead	VSG-BCL

Material Specifications

Molding	Low Carbon Neoprene
Contacts	Gold plated per MIL-G 45204 Type II, Grade D, Class 00
Pin	Brass
Sockets	Beryllium Copper
O-ring (VSG-BCL)	2-213 Nitrile
Locking Sleeve Material	Glass-Reinforced Nylon
Locking Sleeve Type:	FLS-G, p/n 63A-004
In-line cable	60cm, AWG 18 (0.82mm ²) 16/30 stranding

Cable Diameter and Current

Color Code

2 conductor OD 7.5mm	12A	1-Black, 2-White
3 conductor OD 8.1mm	12A	1-Black, 2-White, 3-Green
4 conductor OD 9.0mm	12A	1-Black, 2-White, 3-Red, 4-Green

