

# 8808 series

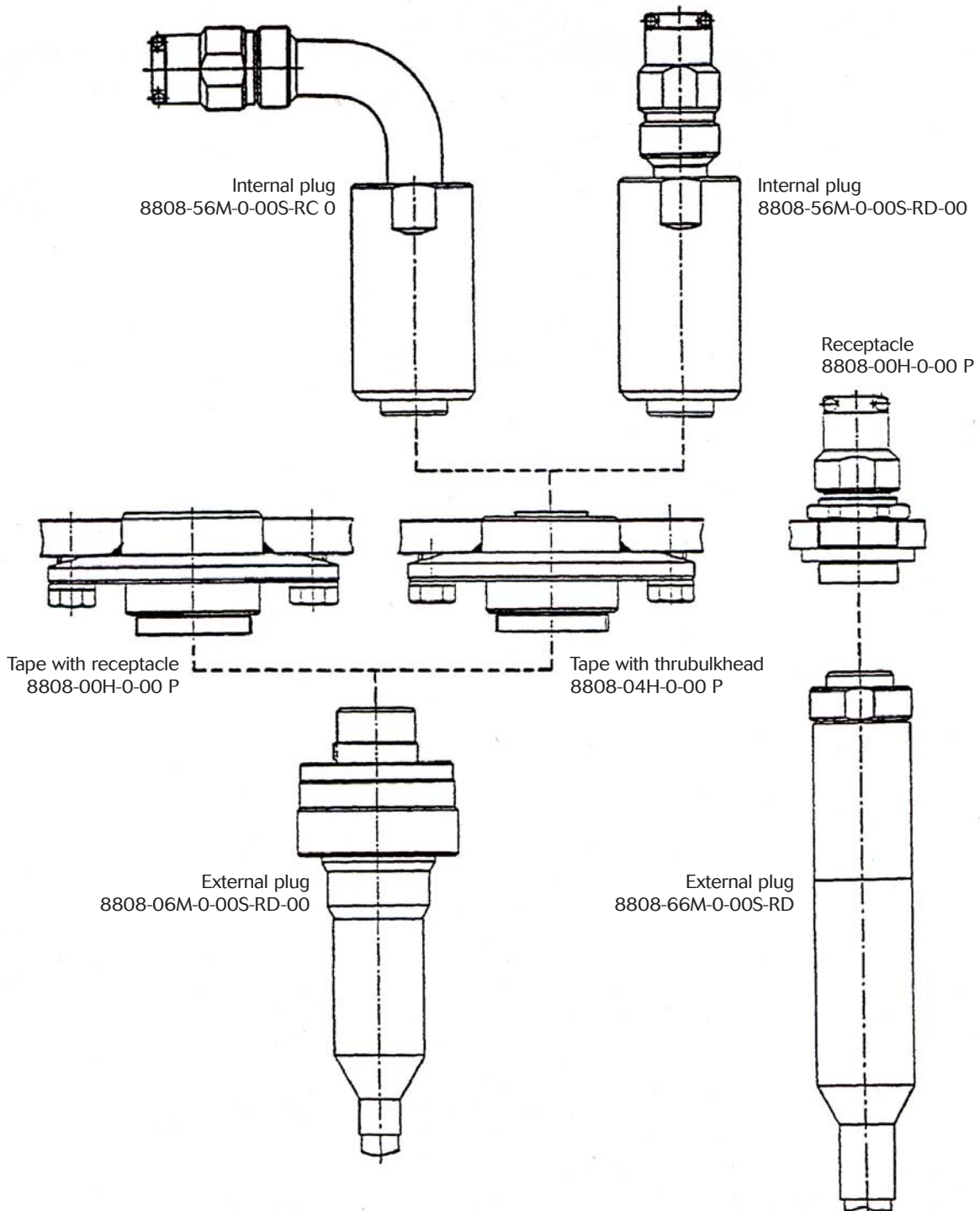


- ➔ Reinforced ruggedized 316L stainless steel and nickel aluminium bronze shell materials.
- ➔ High pressure resistant connector.
- ➔ Hermetically sealed connector.
- ➔ Glass fused insulator.
- ➔ Heavy weight high impact underwater explosion shock test resistance.
- ➔ High electrical and corrosion resistance performance.
- ➔ Excellent resistance against severe mechanical shocks and vibrations.
- ➔ More than 500 mating/unmating cycles.

# 8808 series



## Synoptic

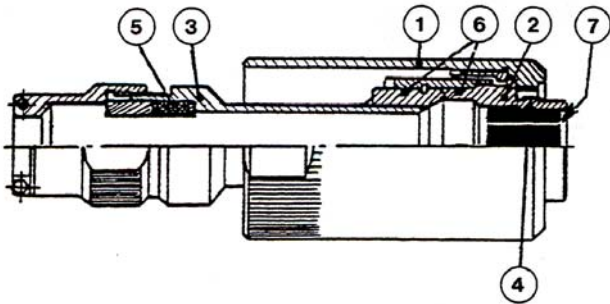


# 8808 series

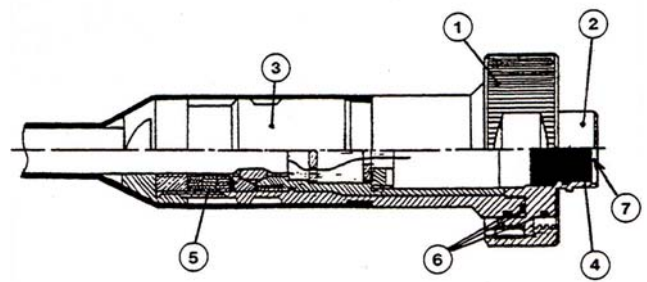


## Description

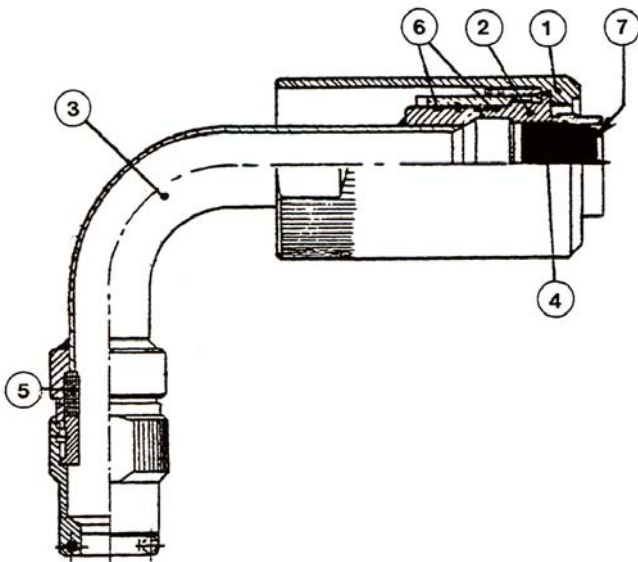
**INTERNAL PLUGS:  
with straight backshell (RD)**



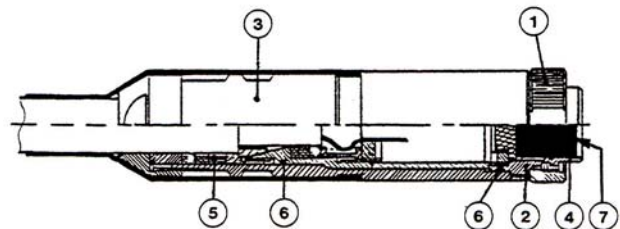
**EXTERNAL PLUGS:  
Plug**



**With right angle backshell (RC)**



**Other plug**



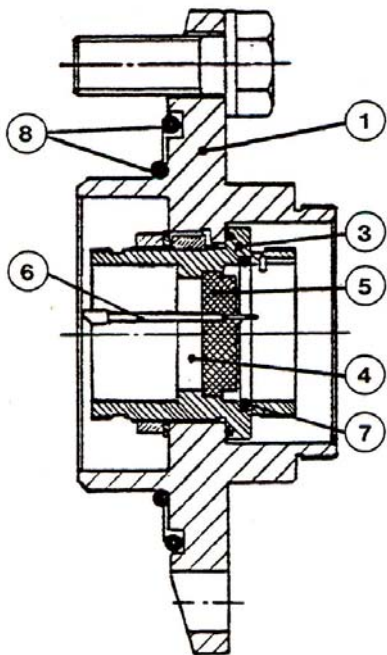
Number	Designation	Material
①	Coupling nut	Cu Al9 Ni3 Fe2
②	Plug shell	Z2 CND 18-12
③	Backshell	Cu Al9 Ni3 Fe2
④	Plug insulator	Neoprene
⑤	Pressure gland	Neoprene
⑥	O'Ring	Neoprene
⑦	Socket contacts	Fe/Ni - alloy Gold plated

# 8808 series

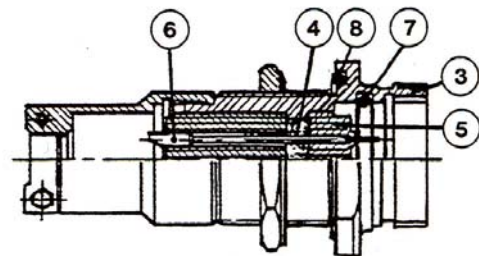


## Description

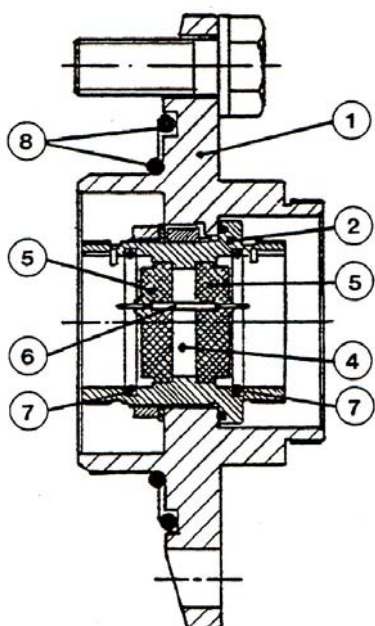
### THRUBULKHEAD ON TAPE



### RECEPTACLE



### RECEPTACLE ON TAPE



Number	Designation	Material
①	Tape	Z2 CND 18-12
②	Thrubulkhead shell	Z2 CND 18-12
③	Receptacle shell	Z2 CND 18-12
④	Insulator	Glass fused
⑤	Interfacial seal	Neoprene
⑥	Pin contacts	Fe/Ni - alloy Gold plated
⑦	Mating seal	Neoprene
⑧	Fixation flange O'Ring	Neoprene

# 8808 series



## Part numbers

Shell size	Number of contacts	Receptacle on tape (8808-00H)	Thrubulkhead on tape (8808-04H)	Receptacle (8808-00H)
1	7#20	8808-00H-1-07P	8808-04H-1-07P	-
2	12#20	8808-00H-2-12P	8808-04H-2-12P	-
6	13 coax + 1#20	-	8808-04H-6-14P	8808-00H-6-14P-75
6	48#20	-	8808-04H-6-48P	8808-00H-6-48P
7	61#20	8808-00H-7-61P	8808-04H-7-61P	-
7	1 coax	-	8808-04H-7-01P	-
7	4 coax + 1#20	-	8808-04H-7-04P	-

Shell size	Number of contacts	External plug (8808-06M)	Internal plug (8808-56M)	External plug (8808-66M)
1	7#20	8808-06M-1-07S-RD	8808-56M-1-07S-RD	-
1	7#20	8808-06M-1-07S-RD-13	8808-56M-1-07S-RD-13	-
2	12#20	8808-06M-2-12S-RD	8808-56M-2-12S-RD	-
			8808-56M-2-12S-RC	-
6	13 coax + 1#20	8808-06M-6-14S-75	8808-56M-6-14S-75-RC	8808-66M-6-14S-75
6	48#20	8808-06M-6-48S-RD	8808-56M-6-48S-RC	8808-66M-6-48S-RD
7	61#20	8808-06M-7-61S-RD	8808-56M-7-61S-RD	-
			8808-56M-7-61S-RC	-
7	1 coax	8808-06M-7-01S-RD 8808-06M-7-01S-RD-14	8808-56M-7-01S-RD	-
			8808-56M-7-01S-RD-14	-
			8808-56M-7-01S-RC	-
7	4 coax + 1#20	8808-06M-7-04S-RD A	8808-56M-7-04S-RC A	

### Connector layout

- 7 contacts #20
- 12 contacts #20
- 61 contacts #20
- 4 contacts coax + 1 contact #20
- Mono coax
- 48 contacts #20
- 13 contacts coax + 1 contact #20

### Reference sheet

- : DT 8808-012 and DT 8808-013
- : DT 8808-014
- : DT 8808-017
- : DT 8808-016
- : DT 8808-015
- : DT 8808-018 and DT 8808-010
- : DT 8808-011

# 8808 series



## Characteristics

### Mechanical and environmental

- **Working pressure:**  
60 bar
- **Working temperature:**  
-40°C + 85°C
- **Endurance:**  
500 mating/unmating operations.
- **Vibrations:**  
1 MHz to 30 MHz (2 mm ± 0,5 amplitude peak to peak).
- **Salt spray:**  
Mated connectors: in accordance with E507 from RCPM severity 4.
- **Subsea life duration:**  
5 years.

### Electrical

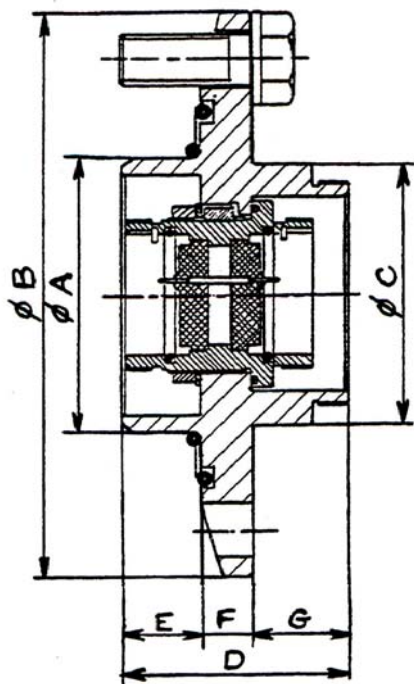
- **Working voltage:**  
#20: 250 Vrms  
13 coax: 500 Vrms
- **Mono coax:**  
4250 Vrms
- **Maximum current rating per contact:**  
7,5 A
- **Insulation resistance under 500 Vcc:**  
≥ 5000 MΩ (mated connectors).
- **Contact resistance:**  
≤ 10 mΩ
- **Coaxial characteristics:**
  - Impedance: 50 Ω
  - ROS < 1,2 at 20 MHz.

# 8808 series

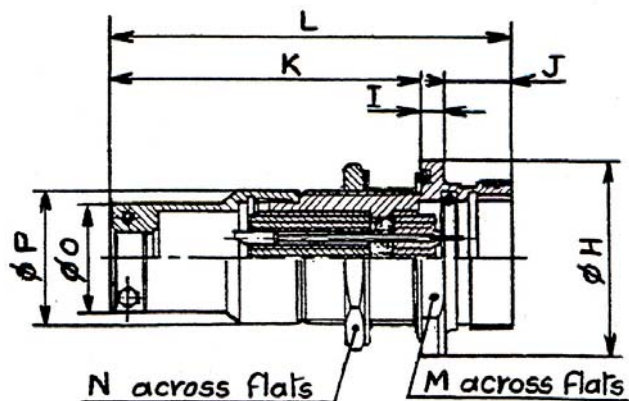


## Dimensions (in mm)

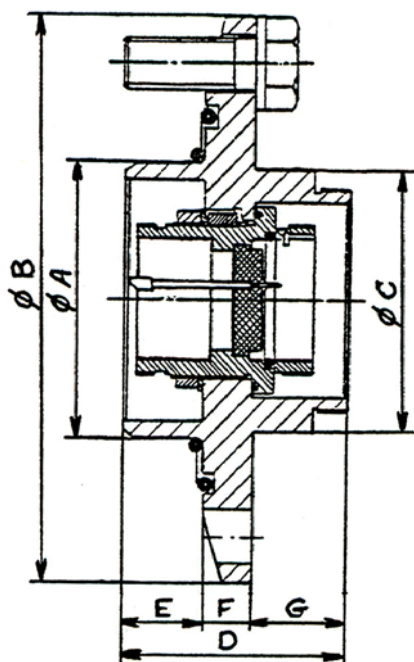
THRUBULKHEAD ON TAPE



RECEPTACLE



RECEPTACLE ON TAPE



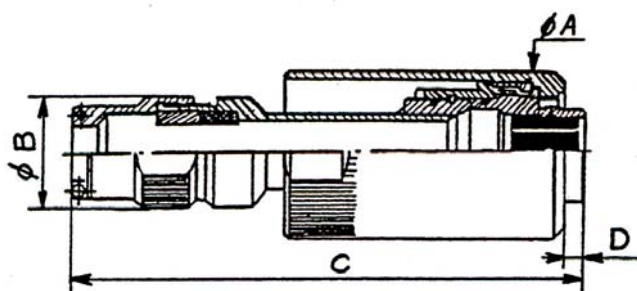
Shell size	1	2	6	7	7 mono coax
Ø A Max	57,7	57,7	83,1	83,1	83,1
Ø B Max	151	151	175	175	175
Ø C Max	70	70	80	80	94
D Max	72,3	72,3	72,3	72,3	106
E Max	25,2	25,2	25,2	25,2	43,6
F Max	16,2	16,2	16,2	16,2	16,2
G Max	30,9	30,9	30,9	30,9	46,2
Ø H Max	-	-	64,15	-	-
I Max	-	-	7,3	-	-
J Max	-	-	12,8	-	-
K Max	-	-	79,8	-	-
L Max	-	-	99,9	-	-
M Max	-	-	59	-	-
N Max	-	-	54	-	-
Ø O Max	-	-	43,8	-	-
Ø P Max	-	-	45,2	-	-

# 8808 series

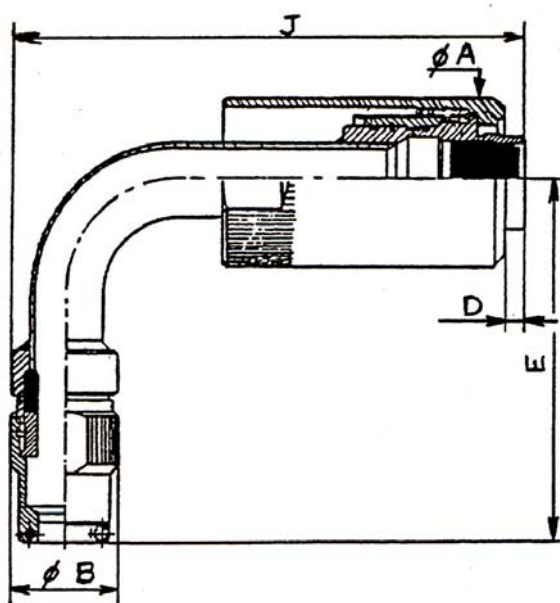


## Dimensions (in mm)

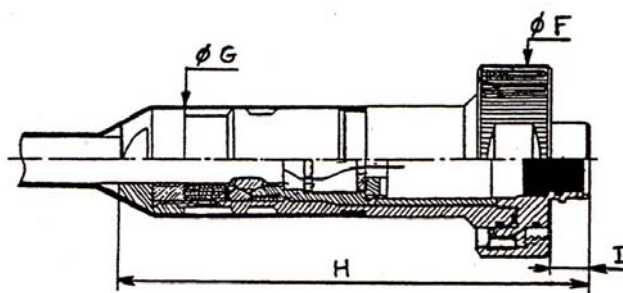
**INTERNAL PLUGS:  
with straight backshell**



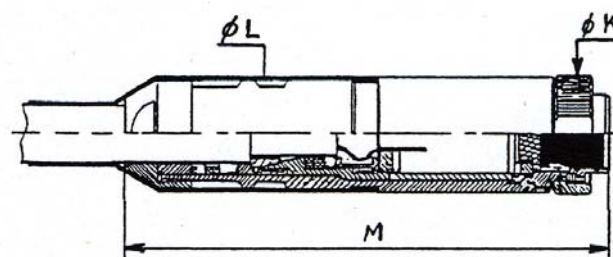
**with right angle backshell**



**EXTERNAL PLUGS:  
Plug**



**Other plug**



Shell size	1	2	6 (48#20)	6 (13 coax 1#20)	7
Ø A Max	45,1	49,1	68	68	72,1
Ø B Max	32,1	39,1	45,1	45,1	45,1
C Max	174,5	175,2	-	-	-
D Max	7,1	7,1	9,1	14,9	16,4
E Max	-	144,7	190	190	191,5
Ø F Max	70,1	70,1	79,1	79,1	88,1
Ø G Max	36	39	54,1	49,1	59,2
H Max	171,7	178,7	235,8	241,6	249,2
I Max	20,2	20,2	20,2	26	27,5
J Max	-	227,7	250,7	256,5	258
K Max	-	-	55,1	55,1	-
L Max	-	-	54	54	-
M Max	-	-	236,8	242,6	-