

Subsea Electro-Optical Connector



- ➔ Electro-Optical layouts are designed in existing M series connector shells with modified backshells to accommodate cables.
- ➔ Custom-designed strain relief.
- ➔ Cable assemblies with insertion loss test.
- ➔ Both multimode or single mode termini are available.

24 MO-12 Single Mode



Characteristics

Mechanical features

- Shells Material: Nickel Aluminum Bronze.
- O'Rings: Nitrile Elastomer.
- Watertight device: Neoprene/Silicone Elastomers.
- Polarizing: 5 keys.
- Mating cycle: >100.
- Overhanging: 80 daN.
- Cable relief: 400 daN.
- Free fall: 1.5 m.
- Vibrations: 10-2000 Hz, 15 g.
- Shocks: 50 g, 11 ms.

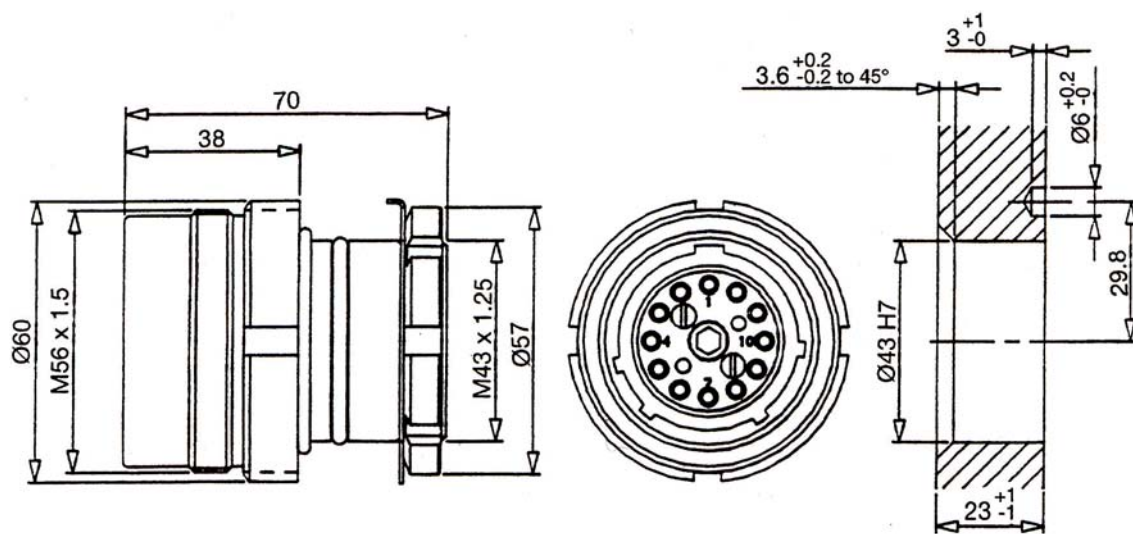
Optical features

- Fibre type: single mode.
- Quantity: 12.
- Attenuation: 1,5 dB maxi (1300 nm, dry).
- Return loss: -30 dB maxi (1300 nm, dry).

Environmental

- Fluid: sea water.
- Unmated watertightness: 6 bars.
- Mated watertightness: 30 to 100 bars.
- Minimum temperature: -68°F.
- Maximum temperature: +158°F.

Rear Jam-nut female receptacle

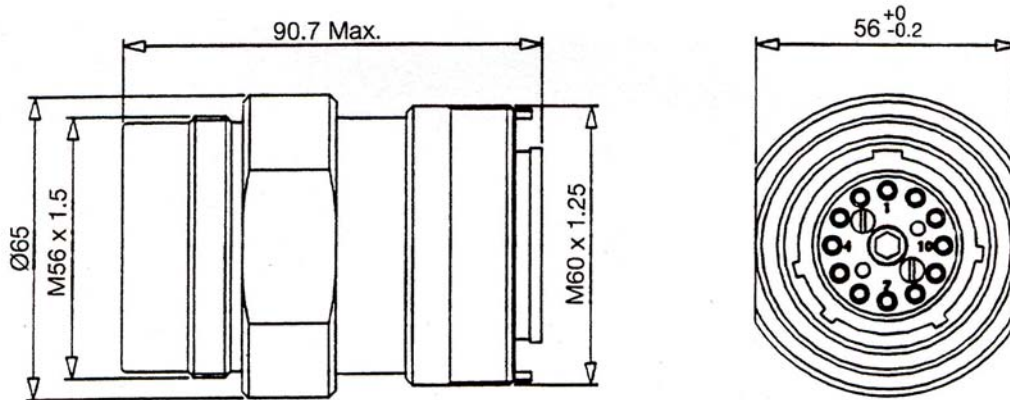


PART NUMBER: RERF24MO12-S1E50C6

24 MO-12 Single Mode

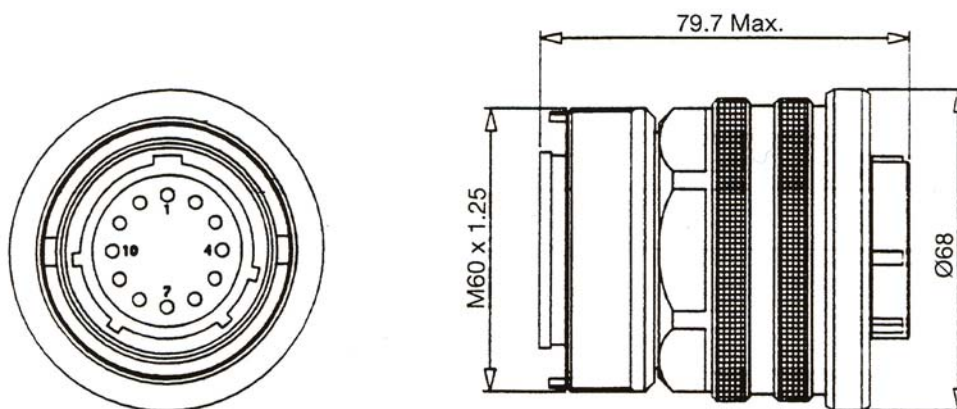


Female cable connecting plug



PART NUMBER: PCEF24MO12-S1E150C6

Male plug

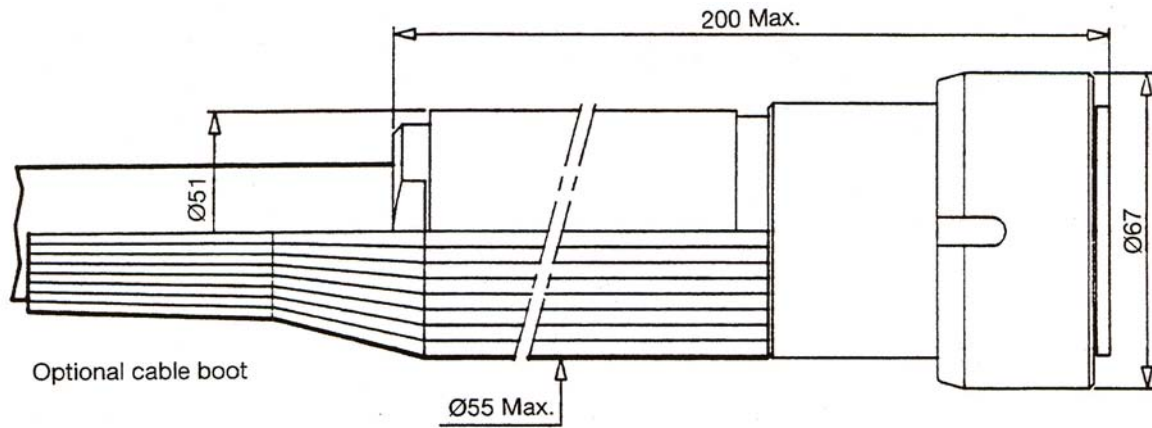


PART NUMBER: FEDM24MO12-S1E150C6

24 MO-12 Single Mode



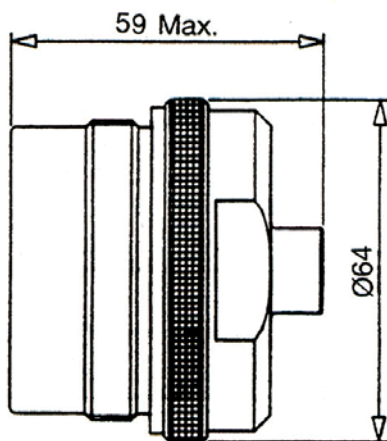
Backshell



PART NUMBER: RDE24MO280E150C6

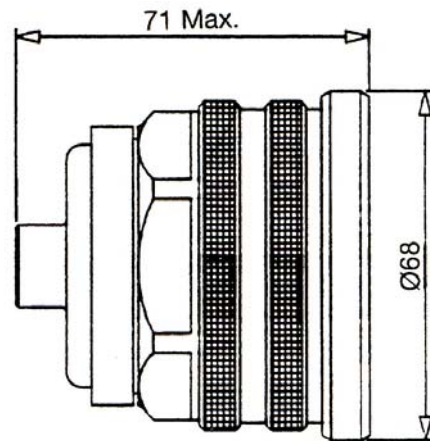
Caps

Plug cap



PART NUMBER: BF24MOE150C6

Receptacle cap



PART NUMBER: BE24MOE150C6

20 MO-6 Multimode



Characteristics

Mechanical features

- Shells Material: Nickel Aluminum Bronze.
- O'Rings: Nitrile Elastomer.
- Watertight device: PUR compound.
- Polarizing: 5 keys.
- Mating cycle: >500.
- Overhanging: 80 daN.
- Cable relief: 60 daN.
- Free fall: 1.5 m.
- Vibrations: 10-2000 Hz, 15 g.
- Shocks: 50 g, 11 ms.

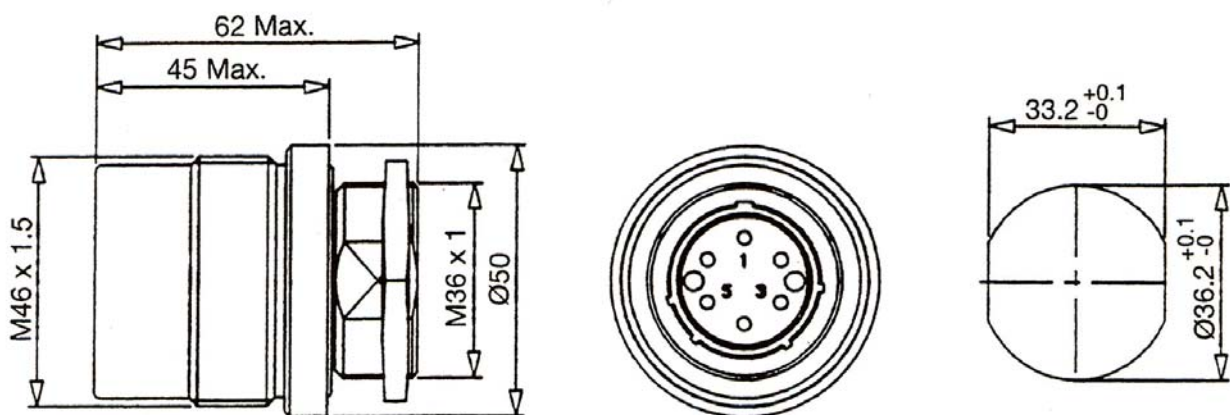
Optical features

- Fibre type: multimode 50/125 or 67.5/125 - 100/140 on request.
- Quantity: 1 to 6.
- Maximum attenuation: 1,6 dB maxi (850 nm, dry).
- Typical attenuation: 1 dB maxi (850 nm, dry).

Environmental

- Fluid: Sea water.
- Receptacle watertightness: 100 bars.
- Plug watertightness: splash proof.
- Mater watertightness: 100 bars.
- Minimum temperature: -56°F.
- Maximum temperature: +158°F.

Rear Jam-nut male receptacle

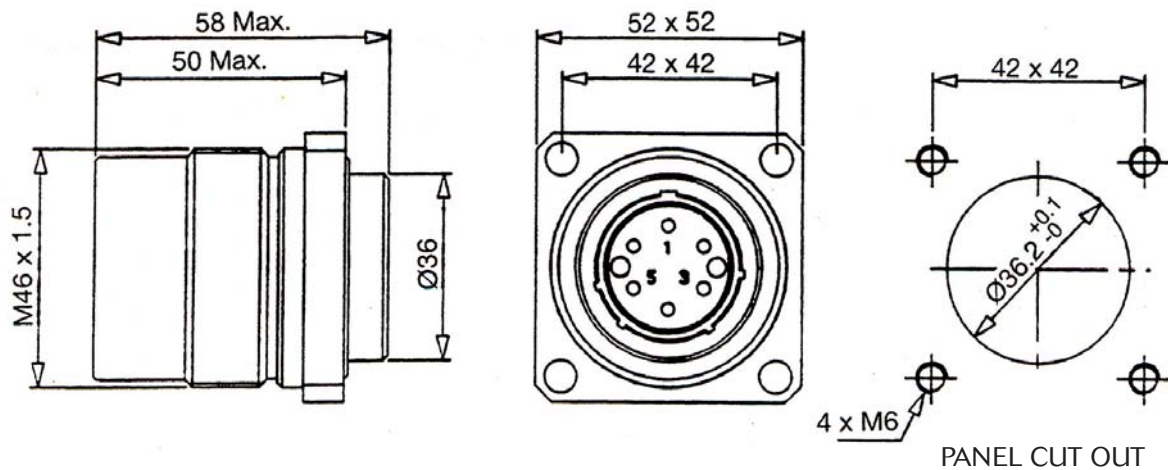


PART NUMBER: RER20MOB06E150C8

20 MO-6 Multimode

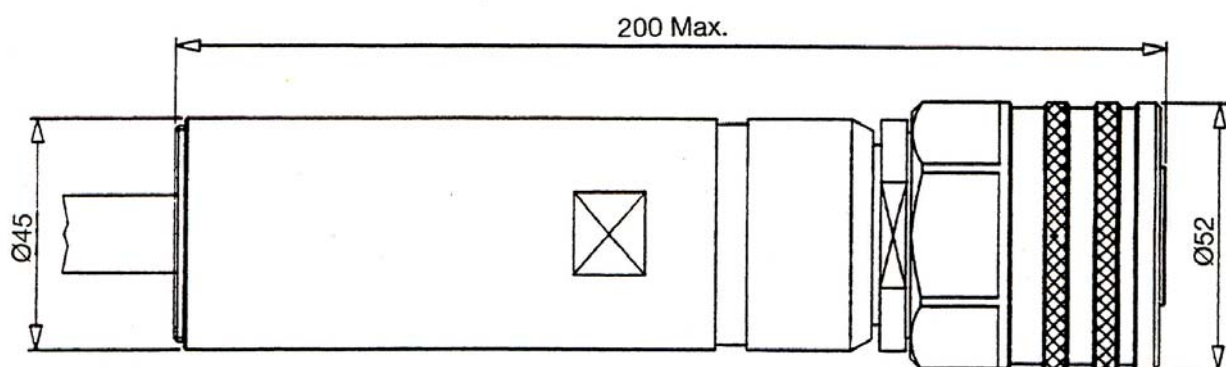


Square flange male receptacle



PART NUMBER:
REC20MOB06E150C8
REC20MOB0*E150C7 (*1 to 6 contacts)

PLUG



PART NUMBER:
FED20MOB06E150C8
FED20MOB0*E150C7 (*1 to 6 contacts)